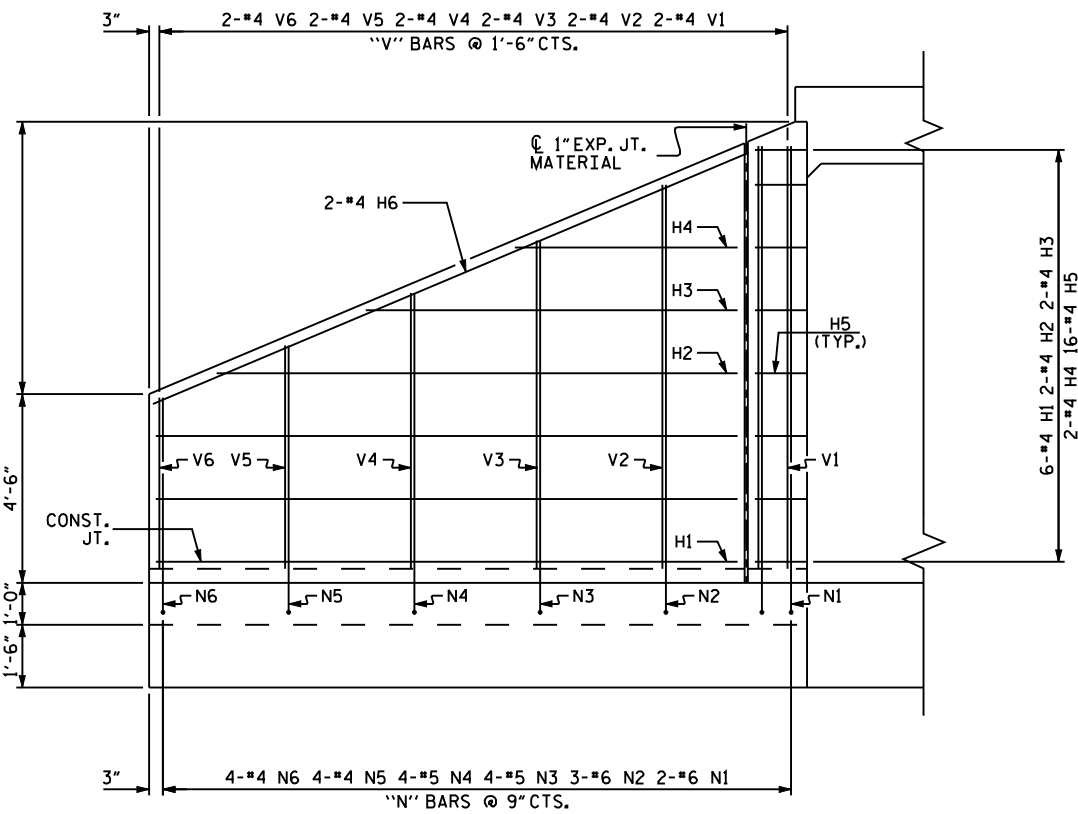
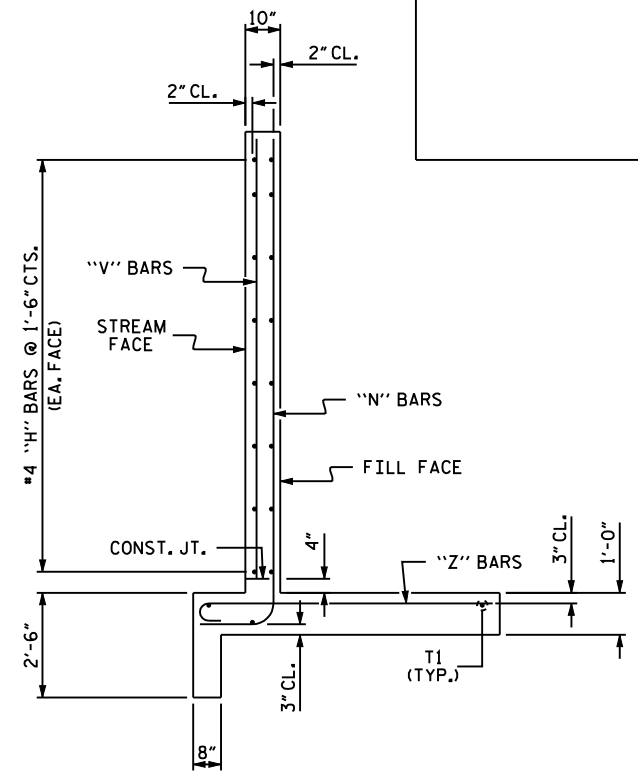


PLAN

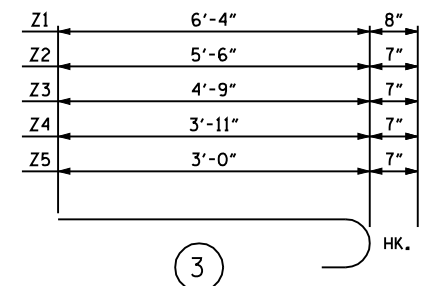
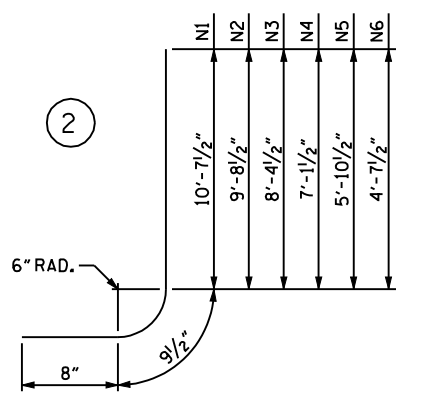
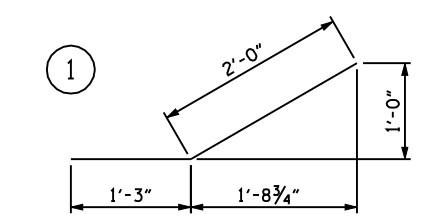


ELEVATION



TYPICAL WING SECTION

ALL BAR DIMENSIONS ARE OUT TO OUT.



*****SYTIME*****
*****USERNAME*****

BILL OF MATERIAL					
BAR NO.	SIZE	TYPE	LENGTH	WEIGHT	
H1	24	#4	STR	13'-10"	222
H2	8	#4	STR	12'-5"	66
H3	8	#4	STR	8'-10"	47
H4	8	#4	STR	5'-4"	29
H5	64	#4	1	3'-3"	139
H6	8	#4	STR	15'-5"	82
N1	8	#6	2	12'-1"	146
N2	12	#6	2	11'-2"	201
N3	16	#5	2	9'-10"	164
N4	16	#5	2	8'-7"	143
N5	16	#4	2	7'-4"	78
N6	16	#4	2	6'-1"	65
S1	12	#6	STR	6'-0"	108
T1	12	#5	STR	15'-9"	197
V1	8	#4	STR	10'-1"	54
V2	8	#4	STR	9'-2"	49
V3	8	#4	STR	7'-10"	42
V4	8	#4	STR	6'-7"	35
V5	8	#4	STR	5'-4"	29
V6	8	#4	STR	4'-1"	22
Z1	16	#6	3	7'-0"	168
Z2	16	#5	3	6'-1"	102
Z3	16	#5	3	5'-4"	89
Z4	16	#5	3	4'-6"	75
Z5	20	#5	3	3'-7"	75

REINFORCING STEEL FOR 4 WINGS 2427 LBS

CLASS A CONCRETE		
4 WINGS	31.2	CY
2 HEADWALLS		CY
END CURTAIN WALLS		CY
TOTAL		CY

PROJECT NO. _____
_____ COUNTY
STATION: _____

STATE OF NORTH CAROLINA
DEPARTMENT OF TRANSPORTATION
RALEIGH
STANDARD WINGS
FOR
CONCRETE BOX CULVERT
H = 10'-0" SLOPE = 2:1
90° SKEW

REVISIONS						SHEET NO.
NO.	BY:	DATE:	NO.	BY:	DATE:	TOTAL SHEETS
1			3			
2			4			

ASSEMBLED BY :	DATE :
CHECKED BY :	DATE :
DRAWN BY : CCJ	10/99
CHECKED BY : RWW	03/00